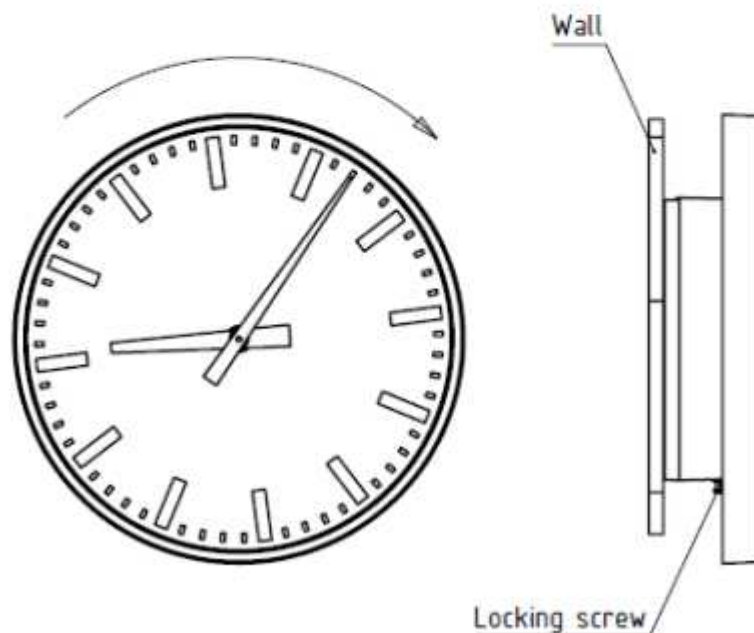
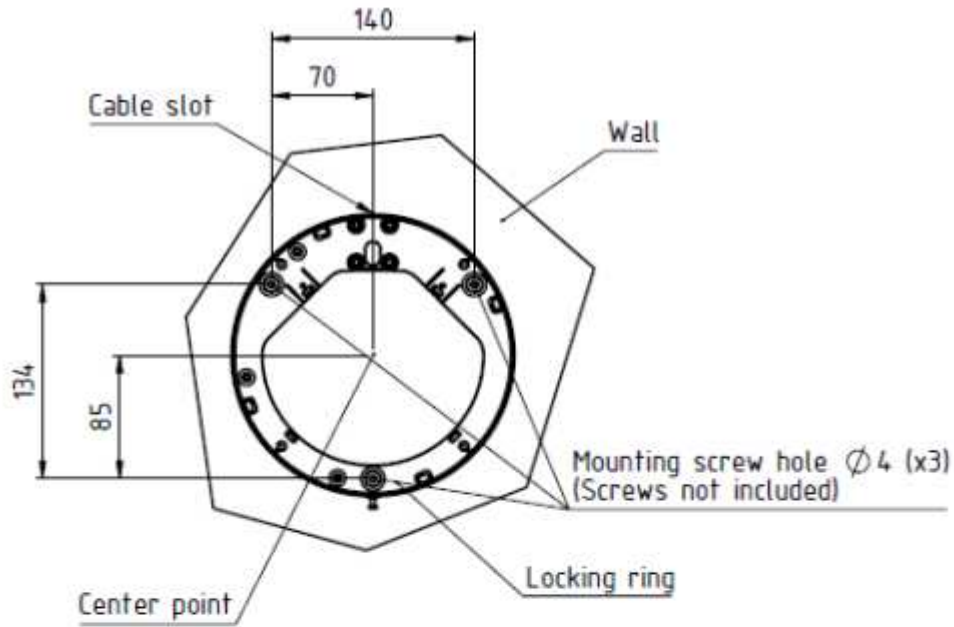


Assembly Instruction - Locking Ring



- * If there is a cable to connect, connect it to the clockwork.
- * Mount the clock to the Locking ring by turning the clock.